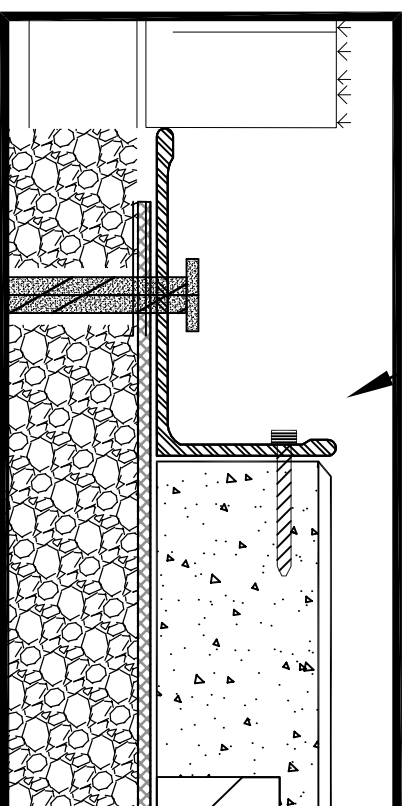


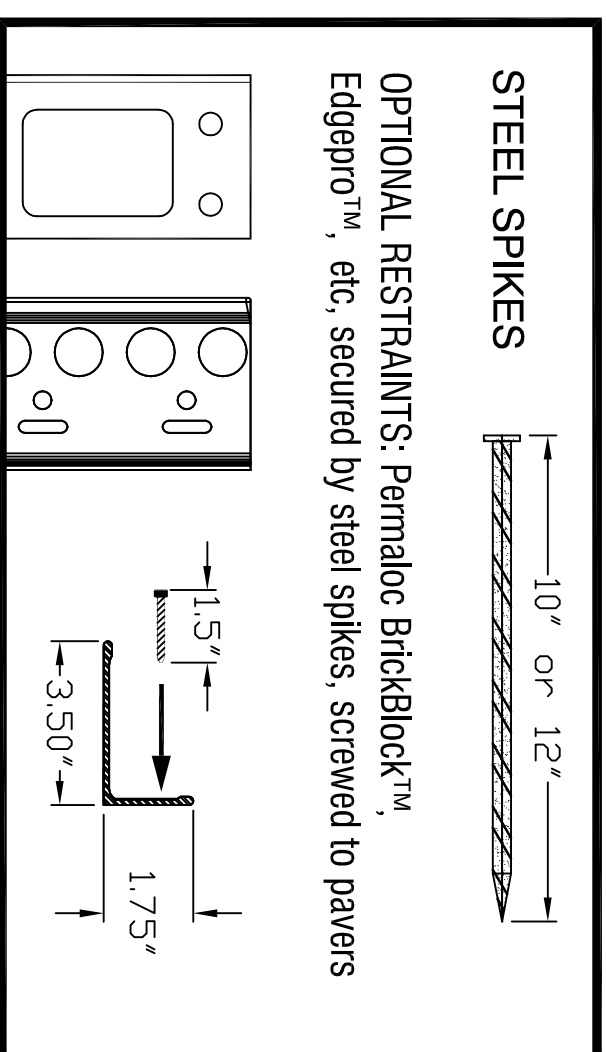
Detail A:

Normal installation: spikes through tabs Scale: 6" = 1'-0"



Detail B:

Installation with restraint Scale: 6" = 1'-0"



STEEL SPIKES

10" or 12"

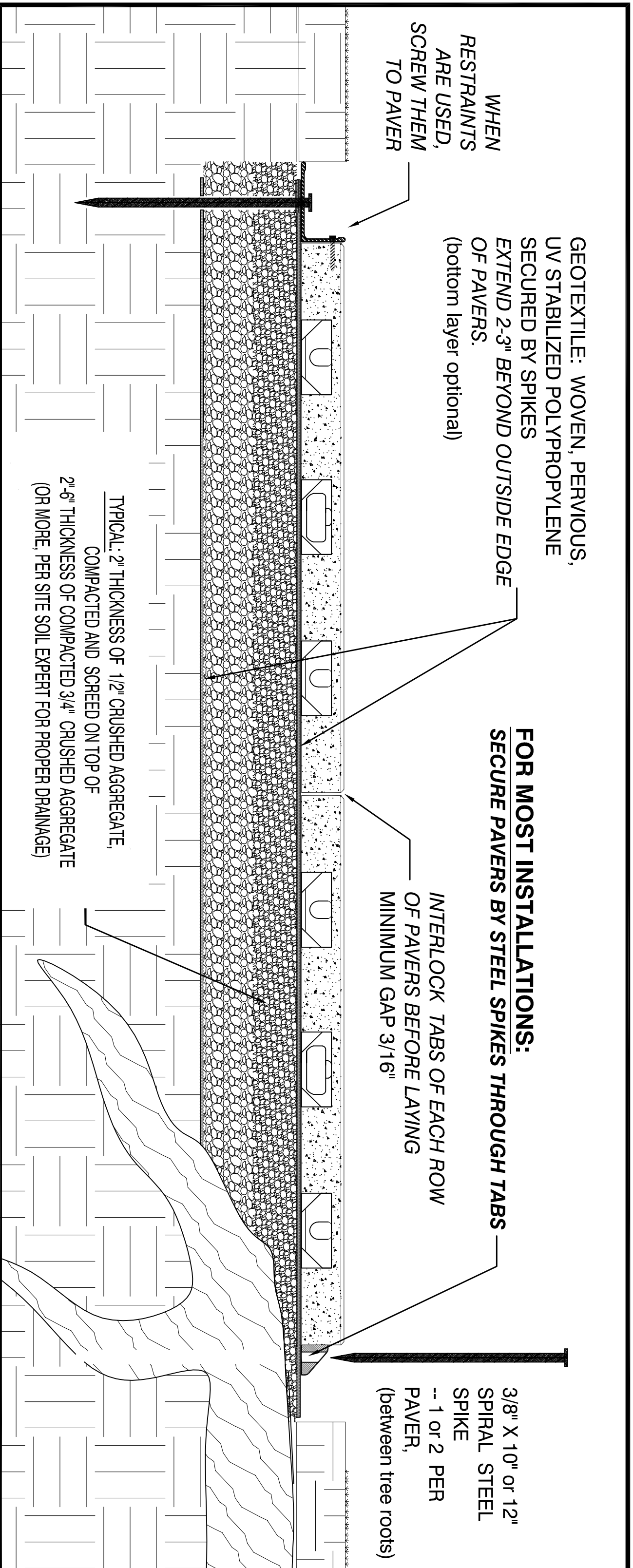
OPTIONAL RESTRAINTS: Permaloc BrickBlock™, Edgepro™, etc; secured by steel spikes, screwed to pavers

1.5"
3.50"
1.75"

Detail C:

Spikes and Restraints

Scale: 3" = 1'-0"



Typical Installation:

Shown: 4' sidewalk over tree roots. For 5' sidewalk, rotate pavers 90°. Pavers are 24 x 30 x 1.75"
Pavers and restraints may be trimmed to accommodate tree roots

Scale: 3" = 1'-0"